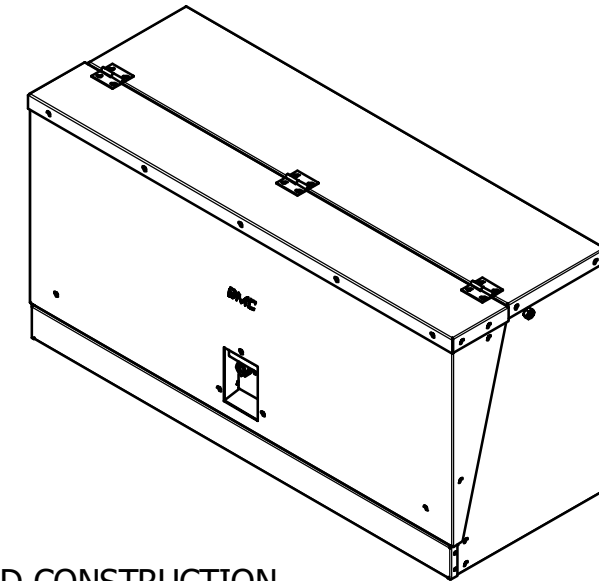
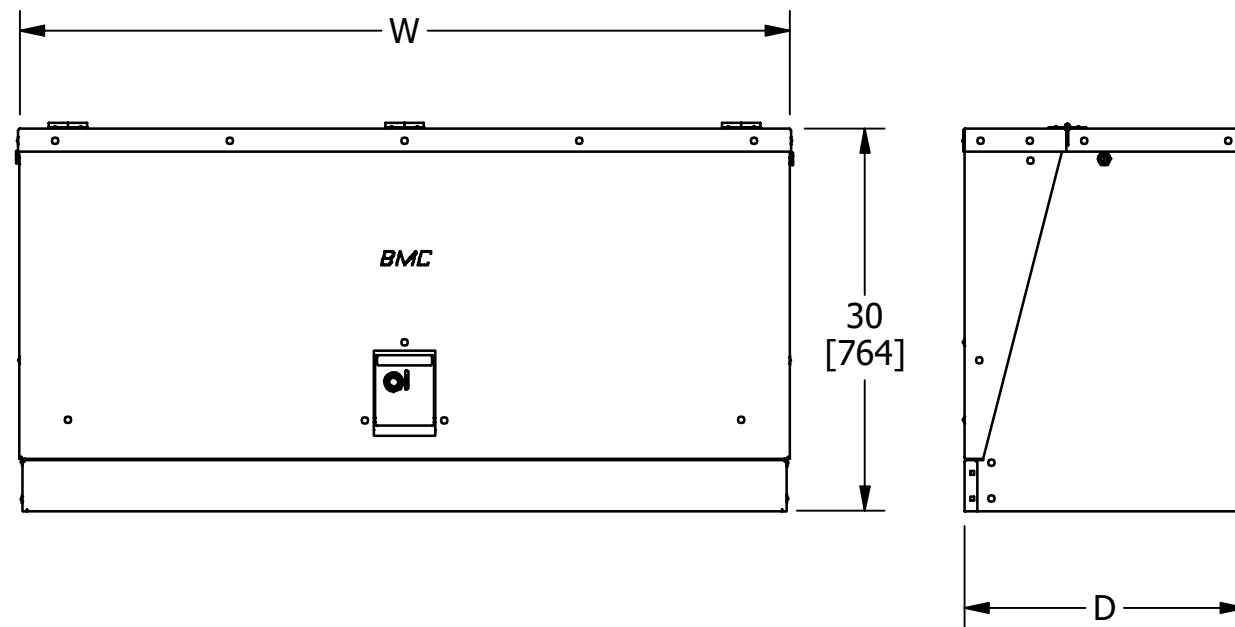


S.NO	CATALOG NUMBER	D	W
1	BGSSE224830TP	22 [559]	48 [1219]
2	BGSSE166030TP	16 [406]	60 [1524]
3	BGSSE184830TP	18 [457]	48 [1219]
4	BGSSE186030TP	18 [457]	60 [1524]
5	BGSSE226030TP	22 [559]	60 [1524]
6	BGSSE226630TP	22 [559]	66 [1676]
7	BGSSE228430TP	22 [559]	84 [2134]

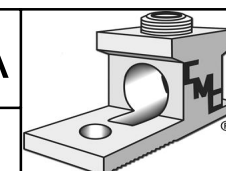


NOTES:

- HEAVY-DUTY CHANNELIZED CONSTRUCTION
- STANDARD CABINET IS FABRICATED FROM 14 GAUGE GALVANEEL STEEL
- ALSO AVAILABLE IN STAINLESS STEEL OR ALUMINUM (CONTACT REP)
- HEAVY DUTY WIND LOCKS ARE STANDARD ON ALL MODELS
- CUSTOM SIZES AND SPECIAL JUNCTION MOUNTING BRACKETS AVAILABLE
- STAINLESS STEEL HINGE BARRELS, PINS, PADLOCK HASP, AND EXTERIOR HARDWARE
- GROUND NUT PROVISION FOR EACH PHASE. UNITS SHIPPED COMPLETELY ASSEMBLED (EXCEPT JUNCTIONS)
- OVEN CURED GREEN POWDER COAT POLYESTER FINISH EXCEEDS ANSI STANDARD C57.12.28
- STANDARD PAINT COLOR: MUNSELL DARK GREEN. OTHER COLORS AVAILABLE
- USABLE JUNCTIONS-4 WAY
- USE FOR SINGLE PHASE



					TO ORDER CMC PRODUCTS	DRAWN BY: TS	NAME OF PART:	CAT. NO.:
					UNITED STATES 1-513-860-4455	04-21-20	SECTIONALIZING ENCLOSURES THREE PHASE 15, 25 & 35KV	SEE TABLE
					CANADA 1-800-361-6975	CHECKED BY:	DWG NO:	A
					MEXICO 011-52-722-265-4400		UB22700130-S (CHARTED)	
A	NEW DRAWING CREATED		04-21-20	TS	FOR PRODUCT INFO www.cmclugs.com	DRAWING NOT TO SCALE		SHEET NO: 1 OF 1



THIS INFORMATION IS PROPRIETARY TO CONNECTOR MFG. CO. AND IS NOT TO BE DISCLOSED OUTSIDE OF CONNECTOR MFG. CO. WITHOUT A CONFIDENTIALITY AGREEMENT

TempEmbed.bmp

CONNECTOR MANUFACTURING CO.

HAMILTON, OHIO